



6" Mud Hopper



Derrick 6" Mud Hopper

6" Mud Hopper

- Required Pressure: 40 to 60 PSI
- Volume: 1100 to 1400 GPM
- Solids: 400 to 600 LB/MIN (4 to 6 "100 lb" sacks per minute)
- Choke Nipple Bore: 1-3/4" (44 mm)

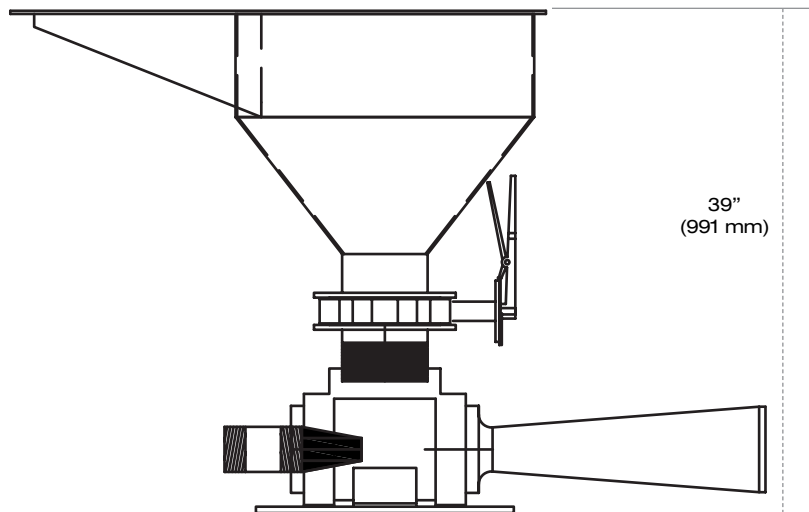
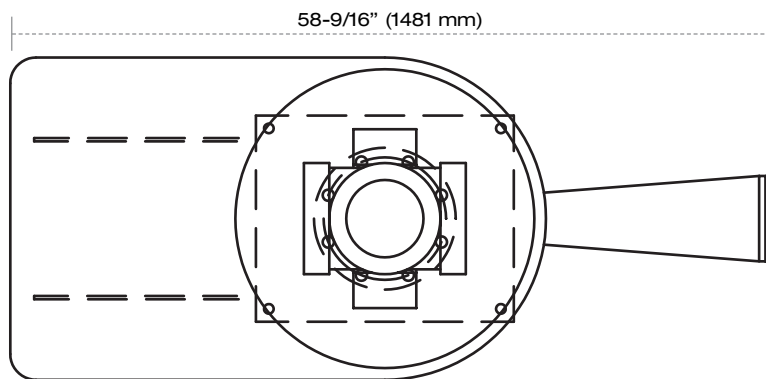
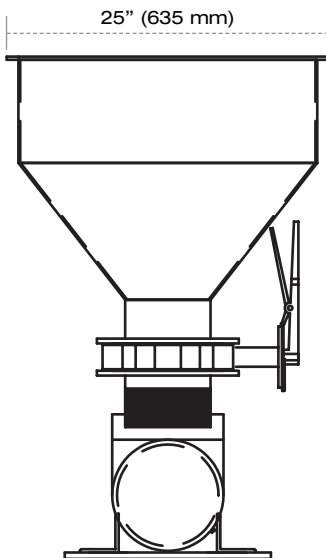
Dimensions

Width: 25" (635 mm)

Length: 58-9/16" (1481 mm)

Height: 39" (991 mm)

Weight: 325 lbs (147 kg)



15630 Export Plaza Drive • Houston, Texas 77032
Toll Free: (866) DERRICK Phone: (281) 590-3003
Fax: (281) 442-6948 • E-mail: derrick@derrickequipment.com
www.DerrickEquipment.com